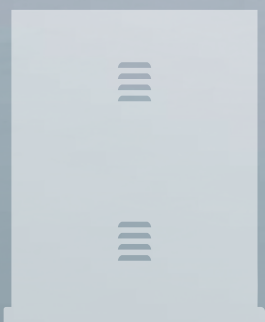
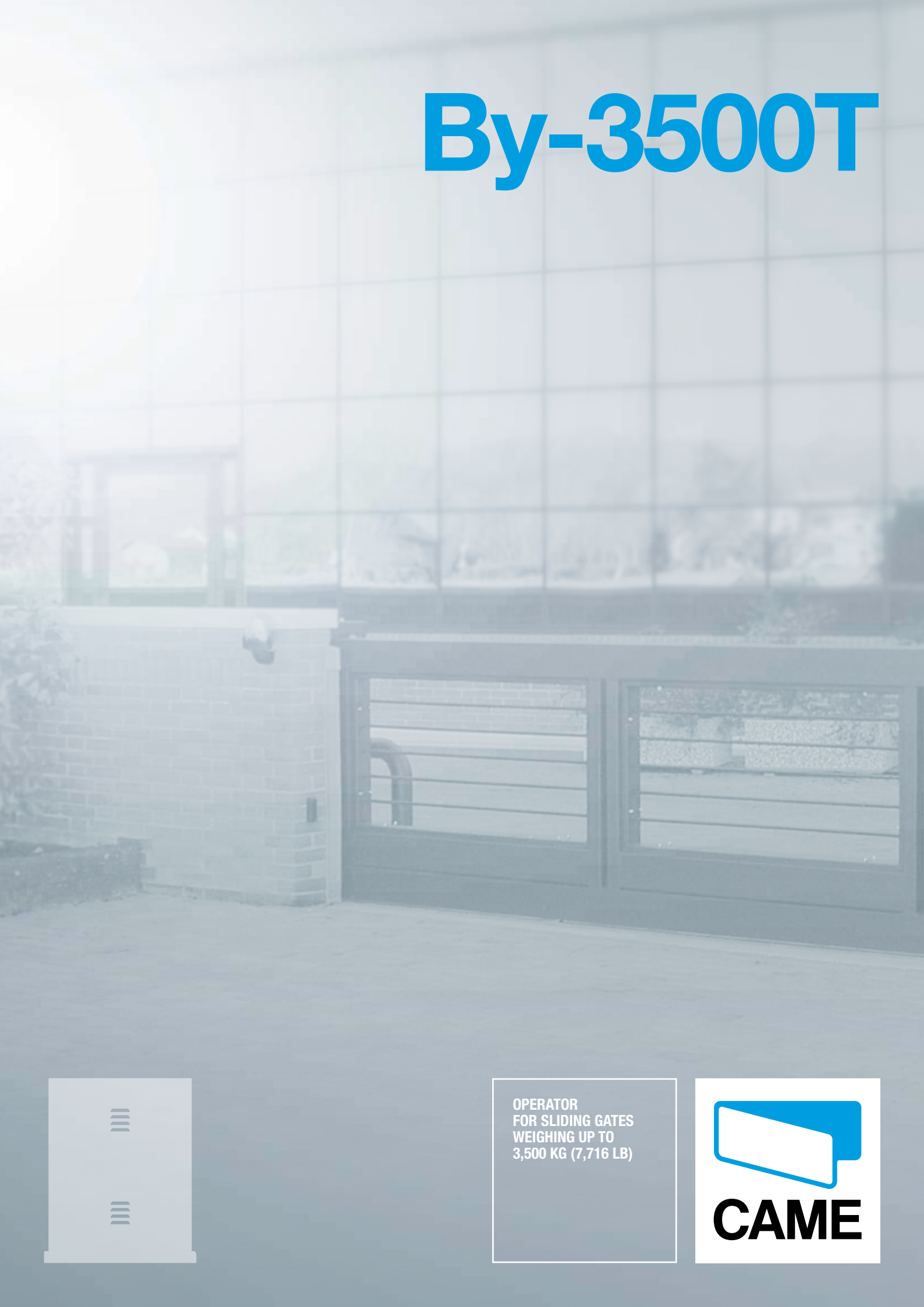


By-3500T



OPERATOR
FOR SLIDING GATES
WEIGHING UP TO
3,500 KG (7,716 LB)



CAME

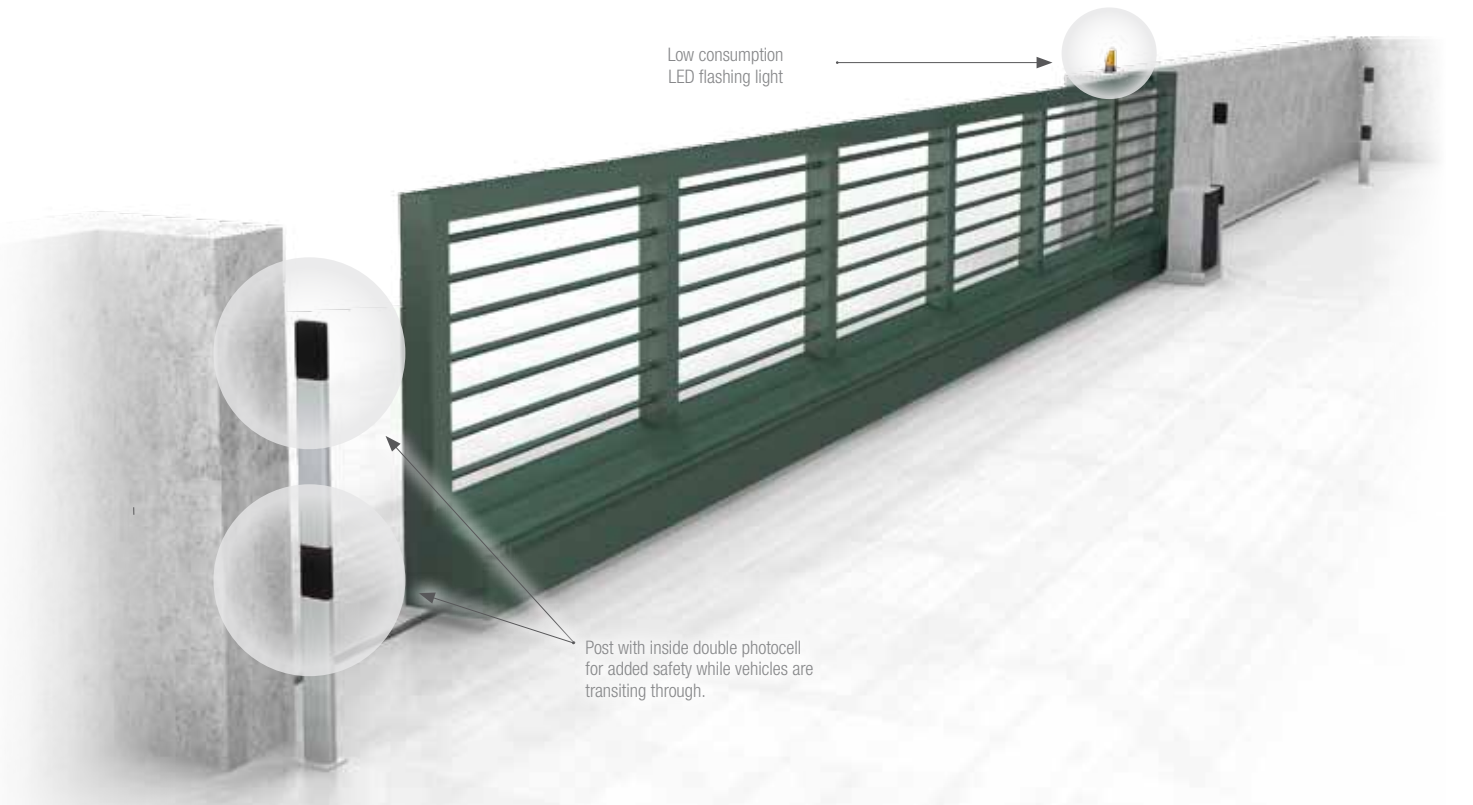
Power and reliability

By-3500T is the model that mostly enhances the power and reliability characteristics; it is the ideal gearmotor for powering very large sliding gate leaves weighing up to 3,500 kg (7,716 lb). This solution is mainly used in industrial facilities.

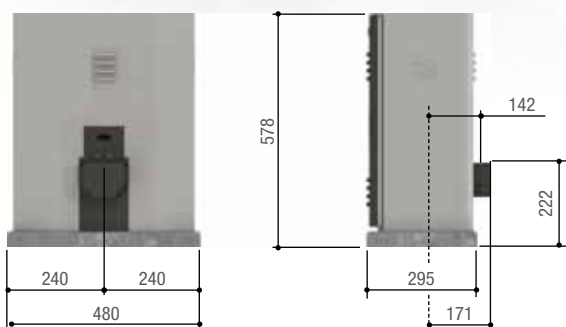


Outside photocells

Outside selector switch



Dimensions (mm)



MIN. 50 mm / 1.96 in
Before installing the operator, we suggest building a raised cement slab.



Benefits become solutions.

CONTROL AND SAFETY

Before opening or closing the gate, the on-board electronics checks the operation of all safety devices fitted to the system.

Also, the operator is set up to take a lamp that, at each command, turns on for a few minutes. This lights up the transit area, making it safer to drive through.



230-400 V AC ELECTRONICS

- Programmable partial opening of the gate leaf; ideal for all entry points that without pedestrian gates.
- Safety is ensured even when the gate is idle: each command is cancelled in case the safety devices detect an obstruction in the gate leaf's area of operation.
- You can stop the gate's movement directly from the radio transmitter, so you have total control in the palm of your hand.



The Triphase benefits!

Greater thrust during operation.
The 230-400V triphase electronics provide much greater thrust during the initial gate movement, to overcome any critical issues due to the gate's weight.

Frequent passages.
The triphase gearmotor ensures operation even under the most severe conditions of use such as with industrial applications.

Inertia control.
With large industrial doors, their weight is often an issue to solve in terms of safety and proper operation of the system. Passive inertia, in terms of the gate travel, may lead to malfunctions as well as user hazards.

Read up at came.com about the full range of Came products!

Came is a market leading home, industrial, and special technological projects automation manufacturing company.

A full range of household solutions: from operators for gates and garage doors, to shutter and awning winding motors, and even home automation control, to burglar proof and video entry systems. Technology and reliability to serve your business, thanks to solutions designed for powering large industrial doors, automatic doors, street barriers, turnstiles, access control systems and parking facilities.





CUSTOMIZED ELECTRONICS FOR YOUR NEEDS!

By-3500T is also available in the special 230 - 400 V AC triphase version.

The table shows the main characteristics of the control panels, matched to the gearmotors.



GARANZIA QUALITÀ ORIGINALE

Came products are entirely designed and made in ITALY



Came S.p.A. is Quality and Environmentally certified by UNI EN ISO 9001 UNI EN ISO 14001

CONTROL PANEL

	ZT6	ZT6C
SAFETY FEATURES		
SELF-DIAGNOSING safety devices	●	●
PARTIAL STOP	●	●
OBSTRUCTION DETECTED in front of photocells	●	●
CONTROL FEATURES		
PARTIAL OPENING one leaf	●	●
OPEN ONLY from transmitter and/or button	●	●
OPEN ONLY or CLOSE ONLY button connection	●	●
OPEN-STOP-CLOSE-STOP from transmitter and/or from button	●	●
OPEN-CLOSE-INVERSION from transmitter and/or from button	●	●
MAINTAINED ACTION	●	●
CHARACTERISTICS AND ADJUSTMENTS		
CYCLE LAMP connection	●	●
COURTESY LAMP connection	●	●
MASTER-SLAVE *	●	●
Adjustable AUTOMATIC RECLOSING TIME	●	●
Electronic brake	●	●

NOTES:* In case of double sliding gate leaves, only one operator (the Master) can control the second operator (the Slave).

● 230-400 V AC Triphase

MODEL

	BY-3500T
Protection rating (IP)	54
Power supply (V - 50/60 Hz)	230-400 AC TRIPHASE
Power supply to motor (V - 50/60 Hz)	230-400 AC TRIPHASE
Draw (A)	2
Power (W)	750
Opening time (m/min) / (ft/min)	10.5 / 34.5
Duty cycle (%)	50
Thrust (N)	3500
Operating temperature (°C)	-20 ÷ +55 / -4 ÷ +131
Motor's heat protection (°C / °F)	150 / 302

● 230-400 V AC Triphase

LIMITS TO USE (MAXIMUM LEAF LENGTH)

23 m
75.5 ft

BY-3500T
3,500 Kg
7,716 lb

● 230-400 V AC Triphase

SOME VERSION MAY NOT BE AVAILABLE IN YOUR COUNTRY.
FOR MORE INFORMATION PLEASE CHECK WITH YOUR LOCAL AUTHORIZED DEALER.



© CAME SPA - KDEP#CEN06A3S114 - JAN_2014 - EN

Even partial reproduction is prohibited • Came reserves the right to make any changes to this document at any time



Came S.p.A.

Via Martiri della Libertà, 15
Dossone di Casier
Treviso - Italy

www.came.com

Came is a company of
CAMEGROUP